

The photograph may not match the reference exactly. Please read the product description to identify the finish.

TECeNfCAi CeARACTERfSTfCS



Product Model:	B-04SRLED10-96	B-04SLED10-96
IP Protection degrees:	IP65	IP65
IK Protection degrees:	IK08	IK08
Light source:	96x SMD 2835	96x SMD 2835
Total power consumption:	10W	10W
Luminous Flux:	1050Lm	1050Lm
Luminous efficiency:	95~100Lm/w	95~100Lm/w
Color temperature:	4000K as standard. Optimal 2700K, 3000K & 5700K. Amber LED available WITH MICROWAVE CONTROLLER	4000K as standard. Optimal 2700K, 3000K & 5700K. Amber LED available WITHOUT MICROWAVE CONTROLLER
Voltage/Frequency:	100-240V/50-60Hz	100-240V/50-60Hz
Warranty (Years):	5	5
Units per box:	1	1
Net Weight (Kg)	1.6	1.5

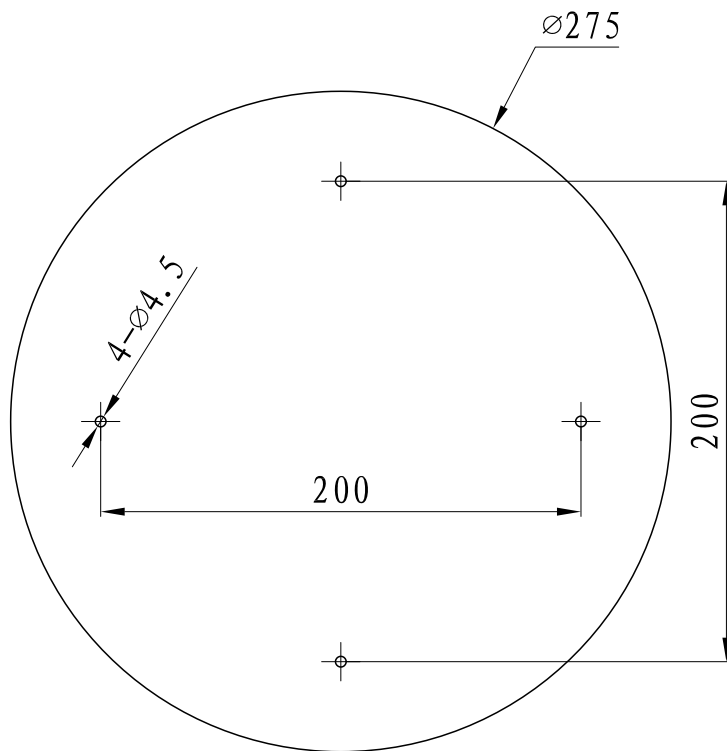
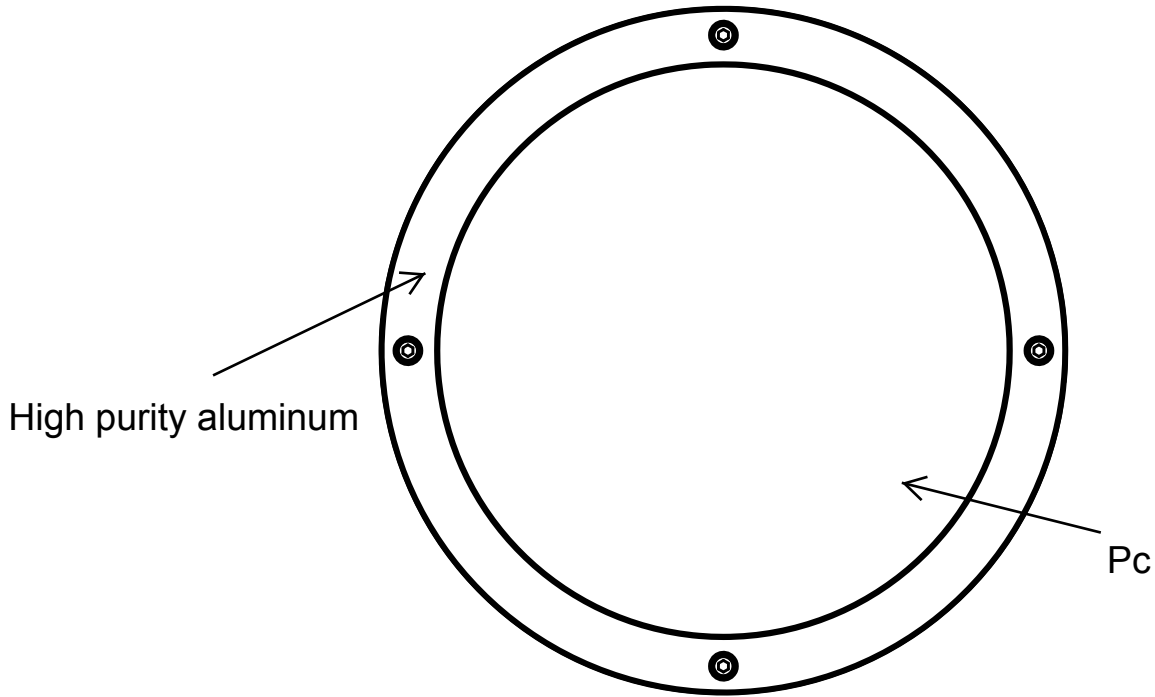
MATERIALS / FINISHES

Structure material: High purity aluminium	Diffuser material: Pc
Structure finish: Silver	Diffuser finish: Transparent

GEAR

Multi-voltage electronic gear included (110-240 V / 50-60 Hz)

Lm^(N): Nominal flow of light in actual working conditions. Its actual flow will depend on the environmental conditions and the efficiency of the optics and/or diffuser.



installation template